



# Typical Jamb & Casing (9Pcs)

## Door Accessories

### 1. Material:

- Jamb: 3/4" Engineered Solid Wood or MDF for Sliding Door
- Stop Strip: Solid Wood
- Casing: Solid Wood or MDF

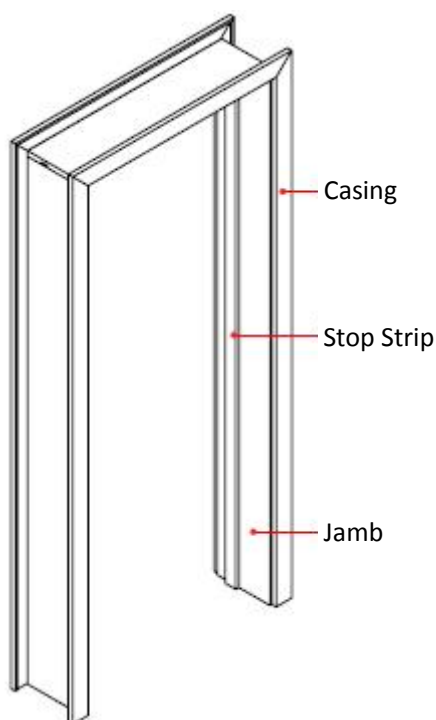
### 2. Finish:

A. Stained: DSI Standard Wood Veneer

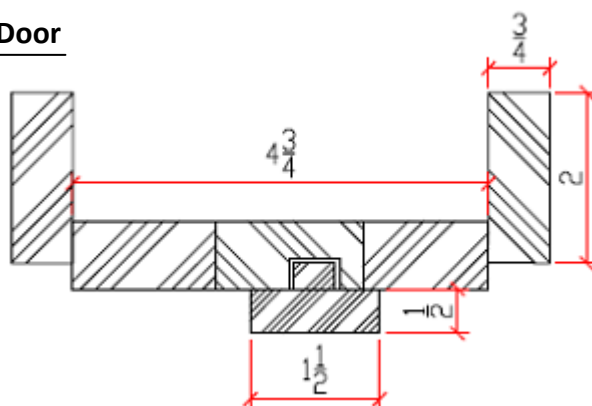
- Maple/Cherry/Ash/Chinese Catalpa/Birch/Basswood/Okuomi
- Grain: Semi-open or Close

B. Painted: Match the Control Sample from the Customer.

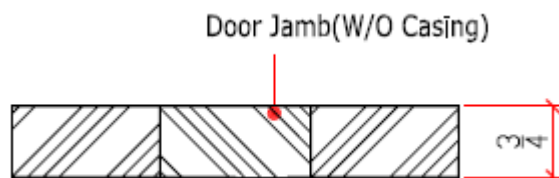
### 3. Configuration Details:



Typical Hinged Door



Typical Sliding Door



### 4. Comments:

- Door jamb & stop strip & casing are normally produced 2" longer to be trimmed to fit on job site.
- Slab door stop is shipped loose for field assembly.
- The custom ones are available upon request as well.