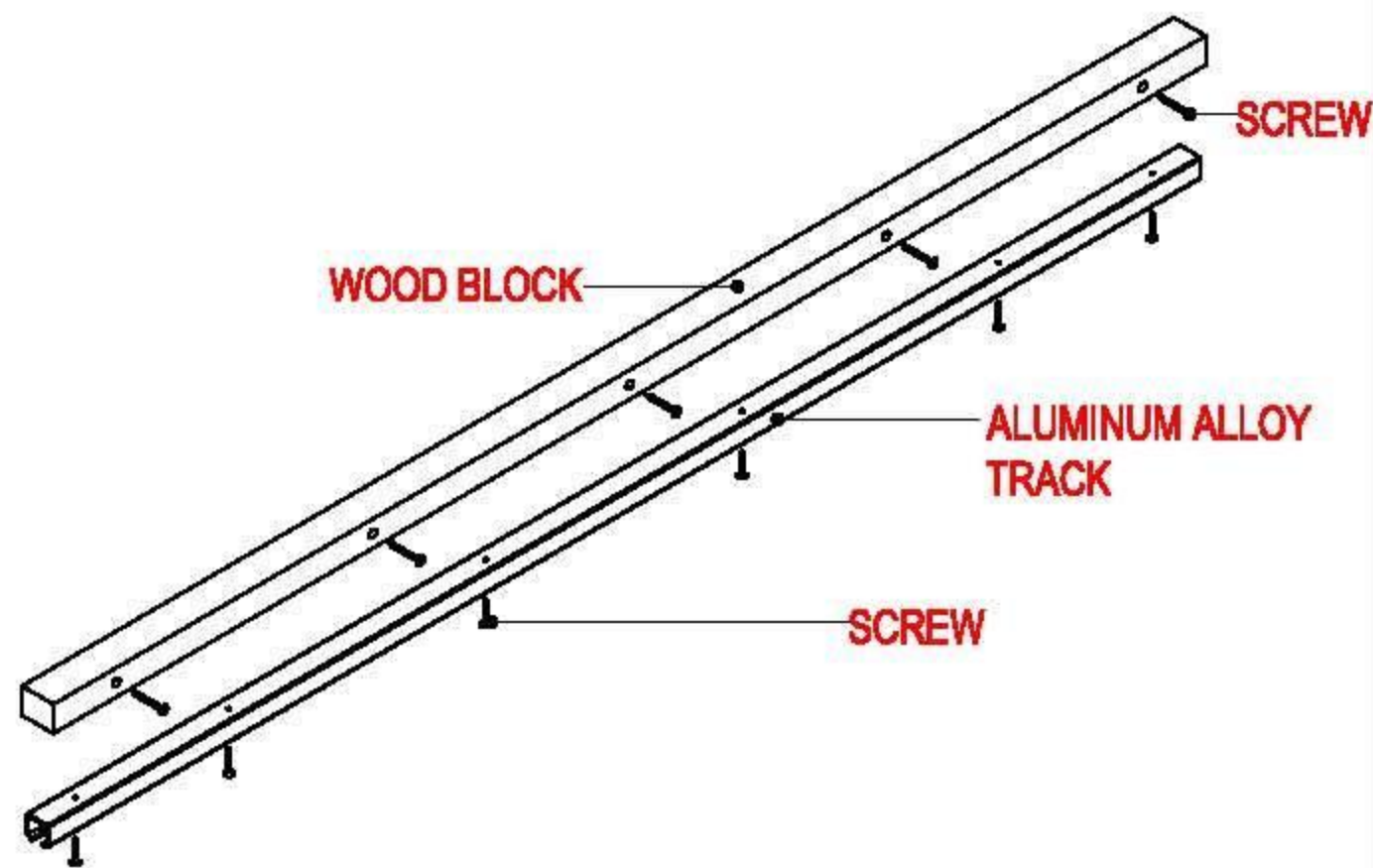
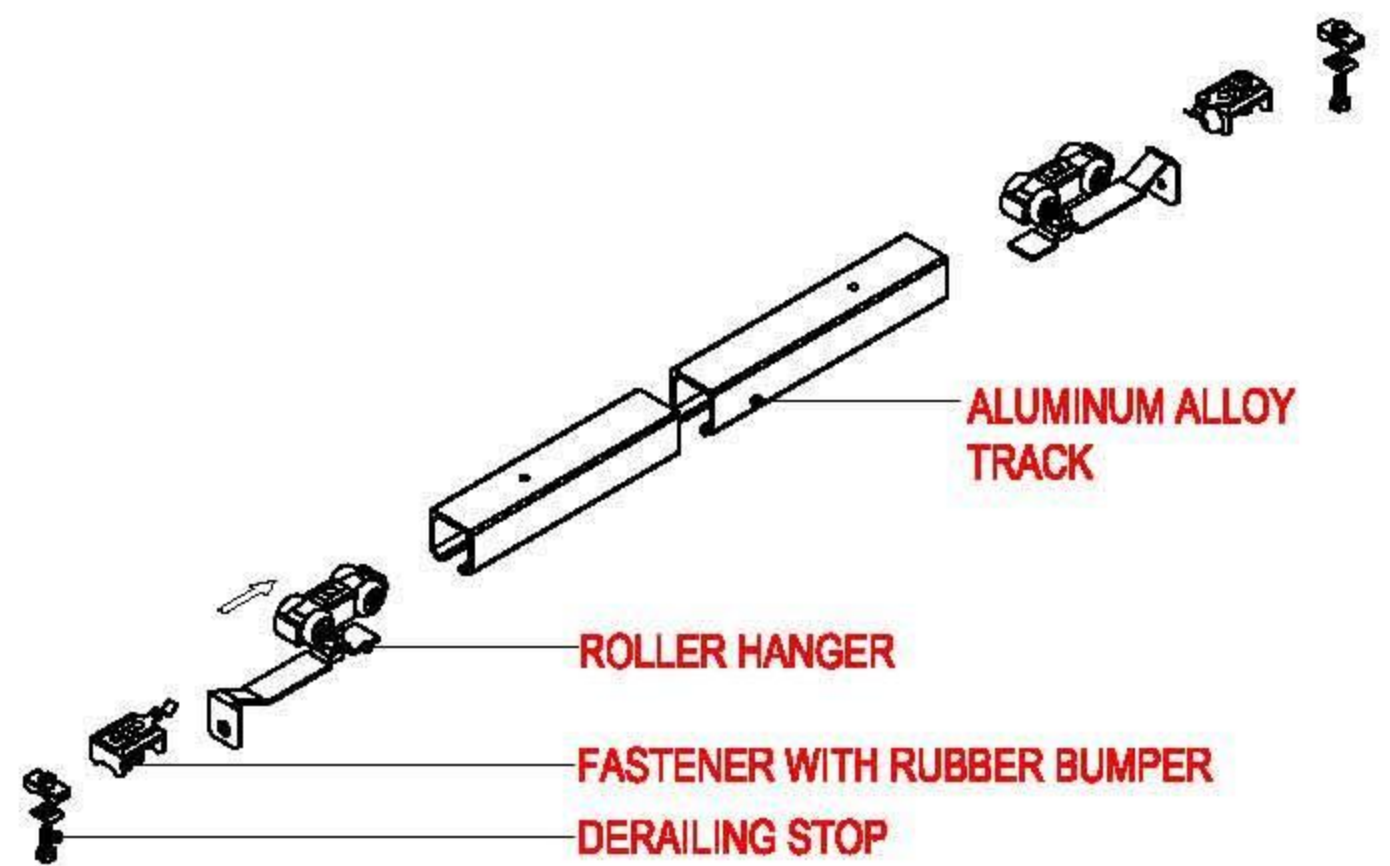


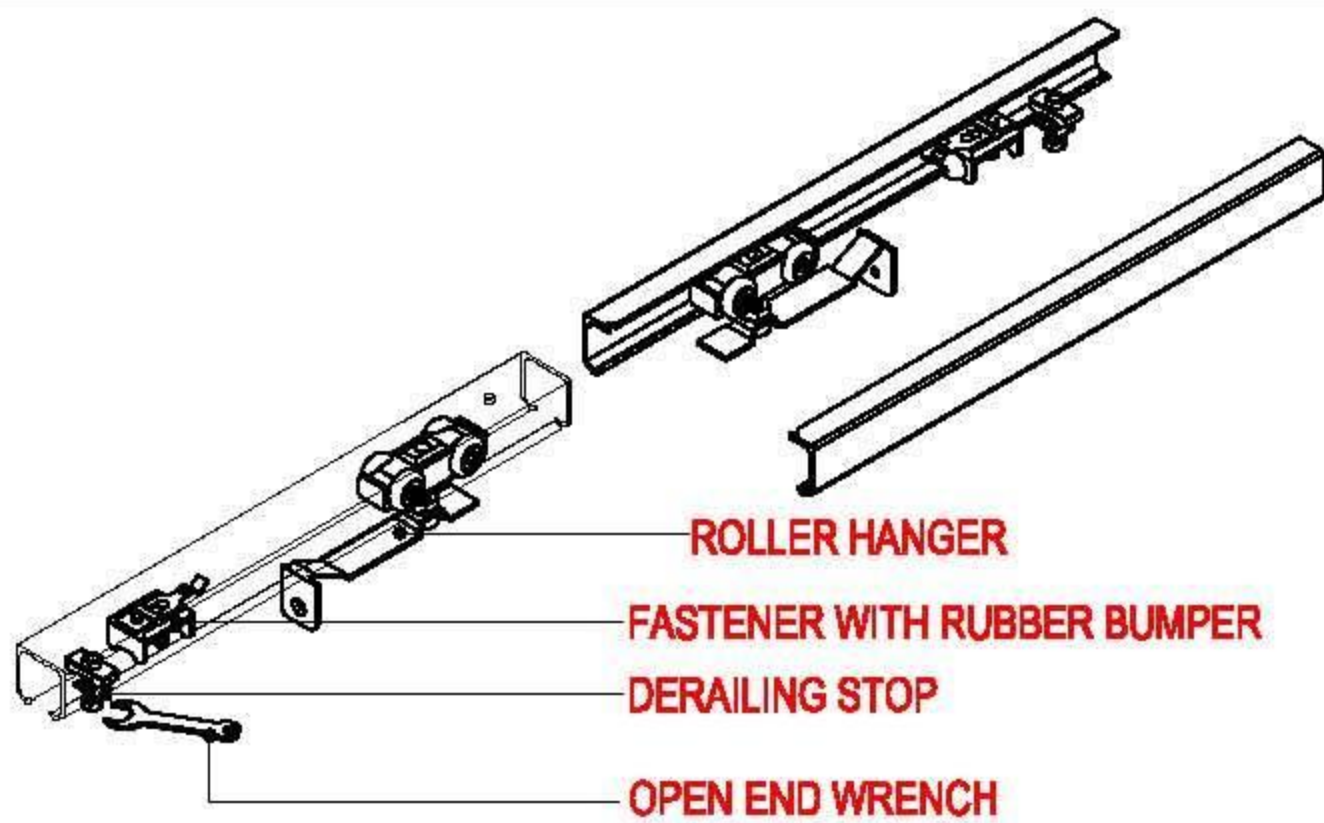
Sleeker Sliding Door Installation Instruction



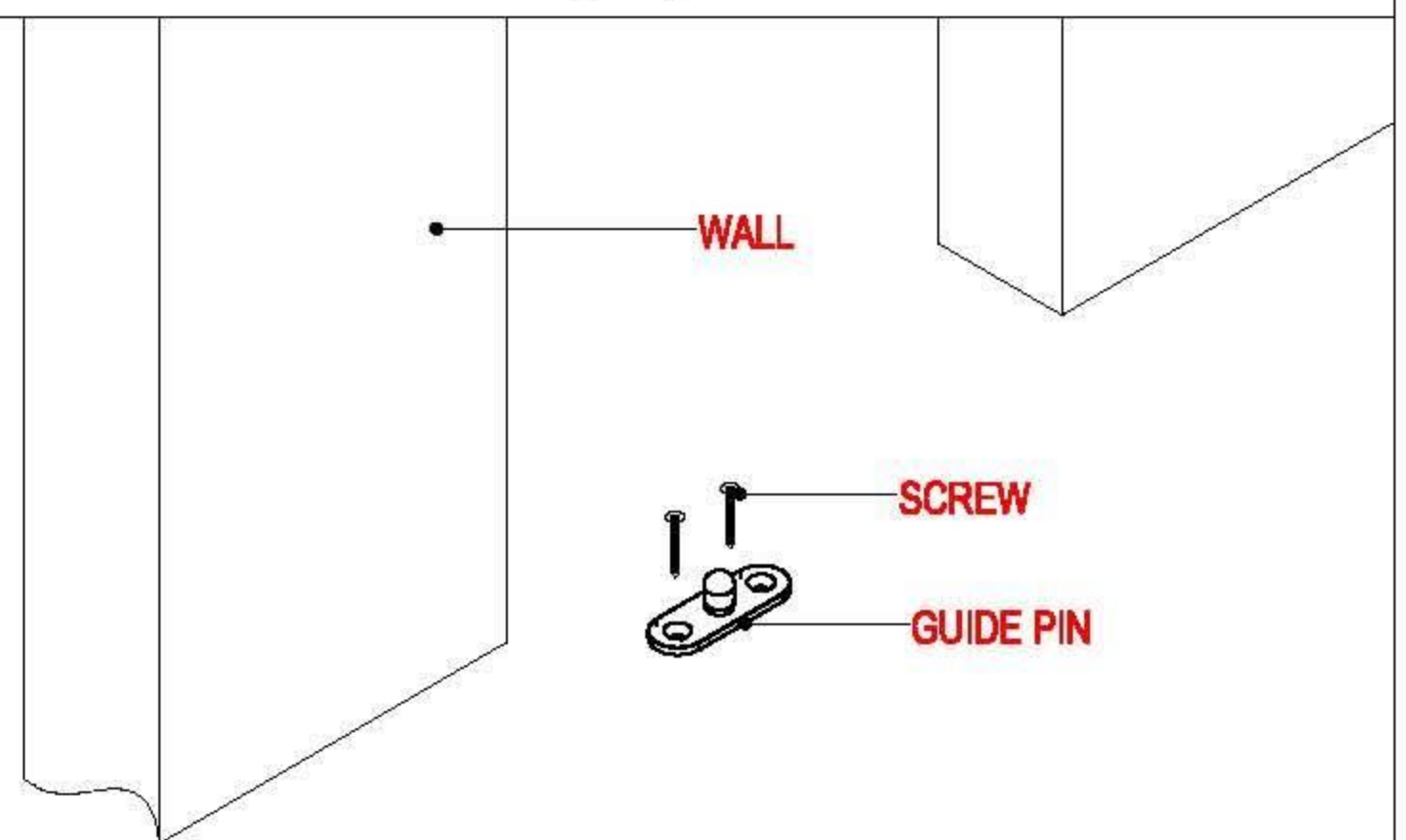
Step 1: Secure wood block to wall with screw first, Screw aluminum alloy track to the bottom of the wood block .



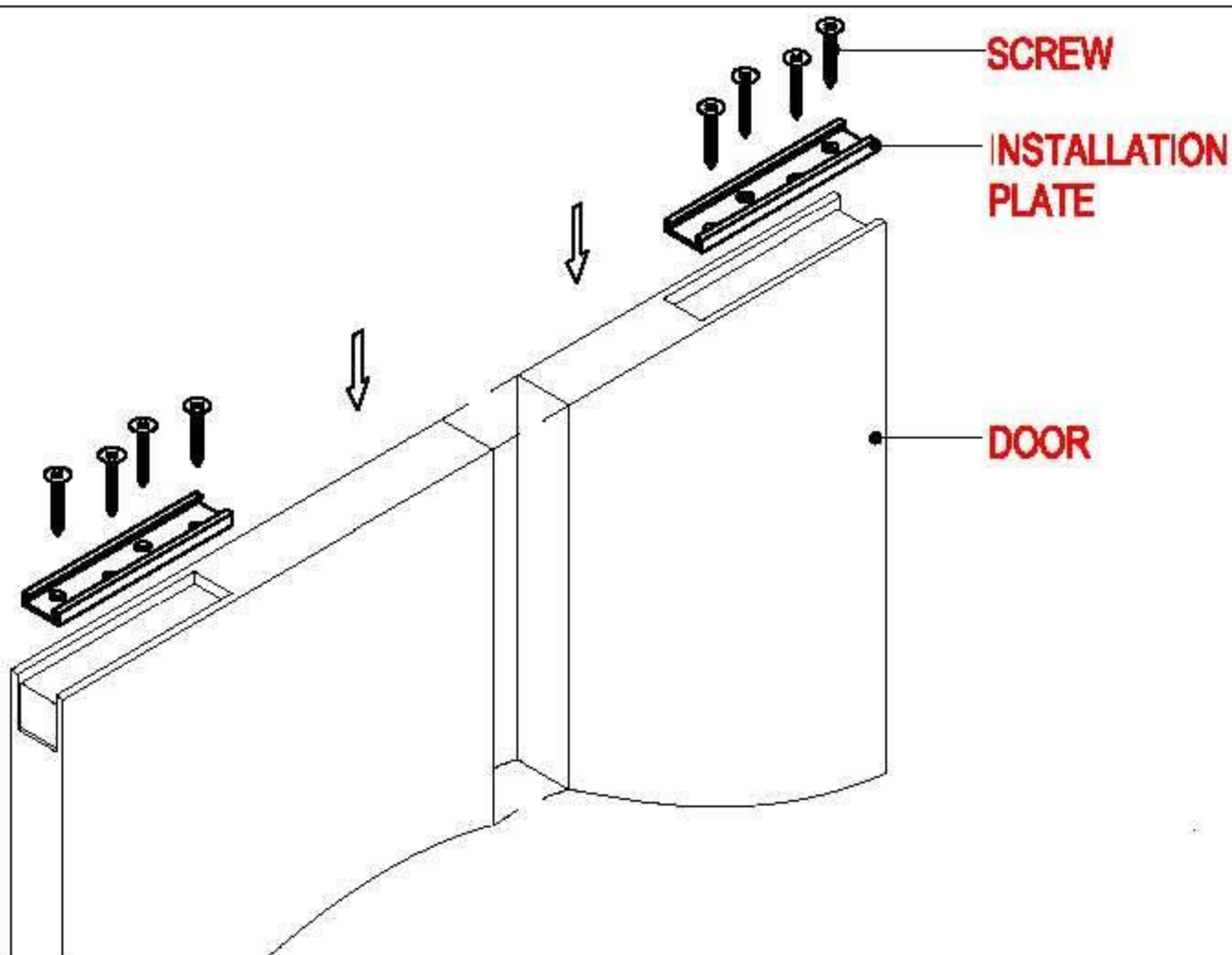
Step 2: Put roller hanger, fastener with rubber bumper, derailing stop into track per the sequence of the DWG. 2 of roller hanger, fastener and derailing stop are needed for each door.



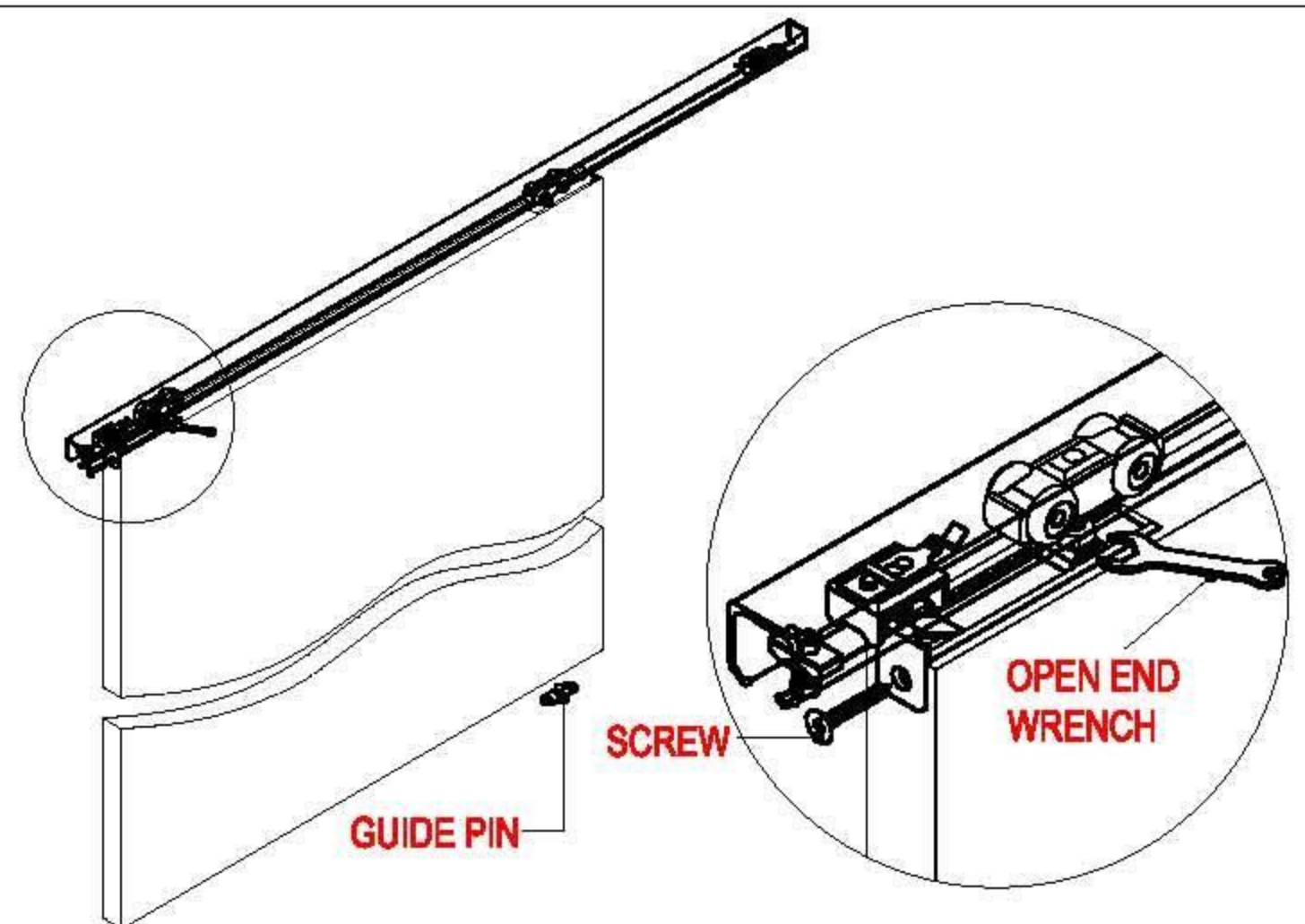
Step 3: Adjust and secure the fastener with slotted screwdriver and the derailing stop with open end wrench to requested location.



Step 4: Fix the guide pin on the floor to requested location.



Step 5: Secure the installation plate into the prep-notch on top of door with screw.



Step 6: Insert plate of the roller hanger into the installation plate and screw it from side of door, keep the door bottom slot align with guide pin. Unlock the nut and adjust the door height by the notch on the screw with open end wrench. Tighten the nuts to lock after the adjustment.