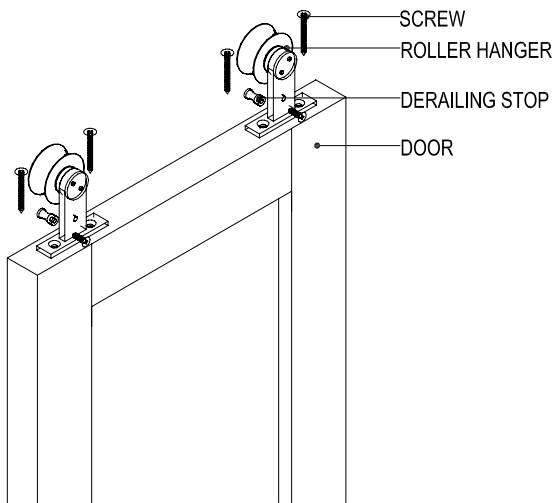
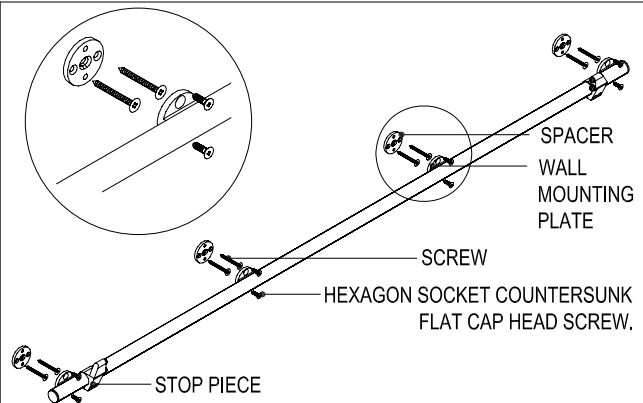


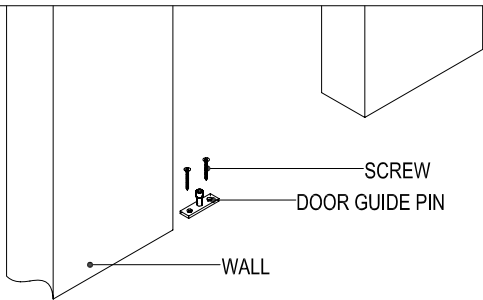
Tubular Track Barn Door Installation Instruction



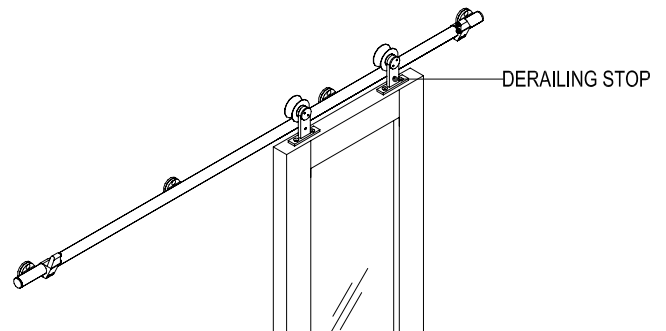
Step 1: Dismount derailing stop from the roller hanger, and screw the roller hanger to the door top as requested location.



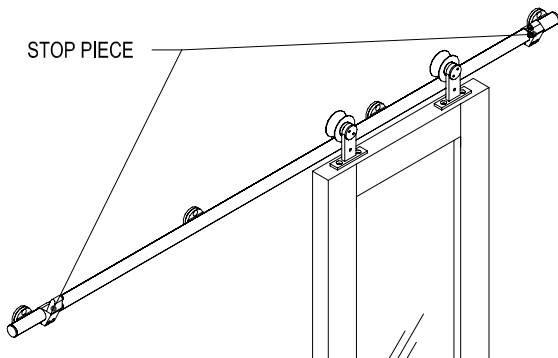
Step 2: Mount (4) SS spacer plates to the wall with screw, and secure the mounting plate of the track (Preassemble the stop piece) to the SS spacer plate with hexagon socket countersunk flat cap head screw.



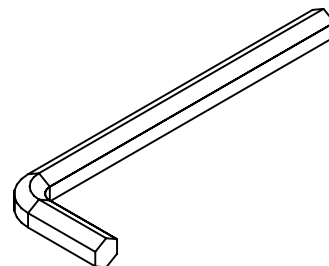
Step 3: Fix the guide pin on the floor as requested location.



Step 4: Assemble the roller hanger to the track, groove the door bottom to align with the guide pin, and fit the derailing stop.



Step 5: Secure and lock the stop piece as requested location.



Tool: Hex Wrench