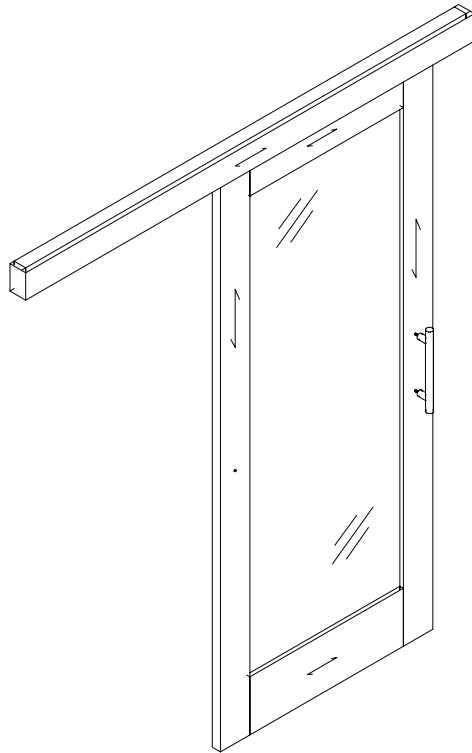
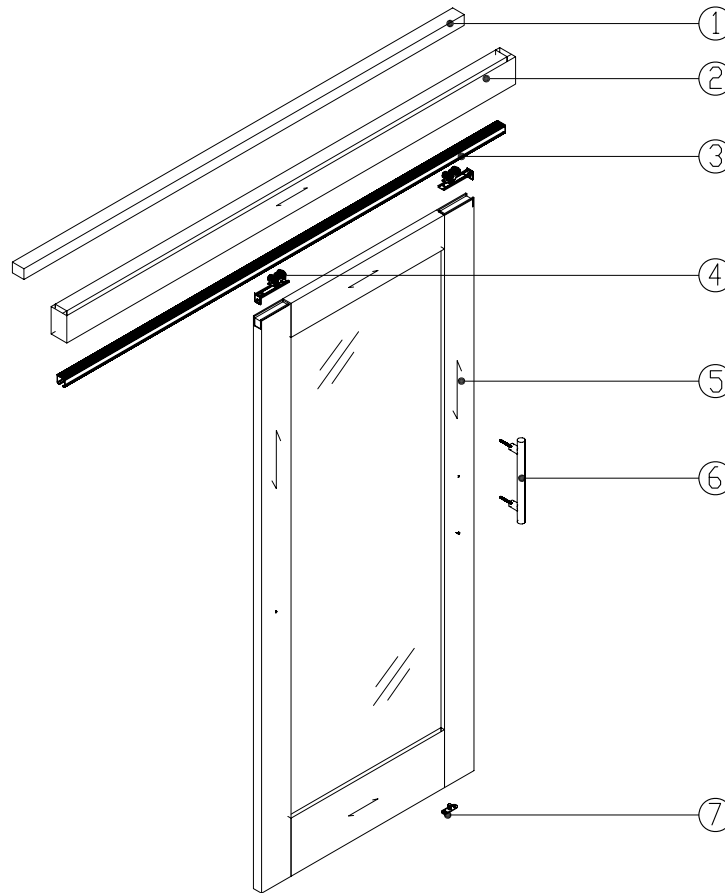


SHOP DRAWING FOR CUSTOMER APPROVAL

P. M.	JH
DATE	2014. 03. 19
NO.	B-1



3D VIEW



ASSEMBLY DRAWING

NOTE:
 1. Sliding Door Details As Shown.
 2. 12" Brushed SS Pull For Field's Assembly.
 3. Finger Pull And SP-Lock For Factory's Assembly.
 4. The SL As Show The SR Opposite.

7	GUIDE PIN
6	12" BRUSHED SS PULL
5	DOOR
4	120 ROLLER HANGER
3	120 TRACK
2	WOOD VALANCE
1	WOOD BLOCK
NO.	ITEMS

JOB# 120 TRACK Drawing 1 Of 4 Project:

- Approved. Proceed With Production
- Revise and Resubmit
- Make corrections noted & proceed

IMPORTANT: All shop drawings must be signed prior to production

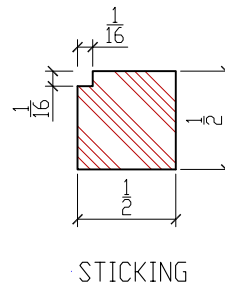
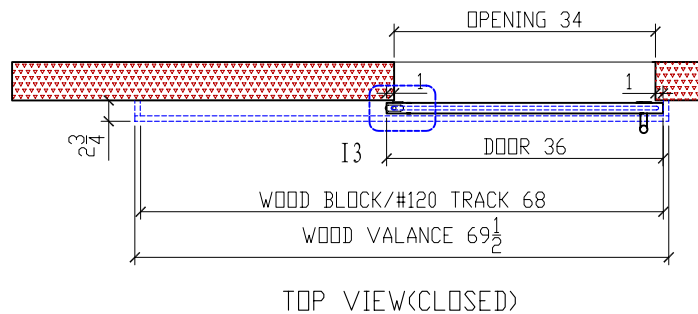
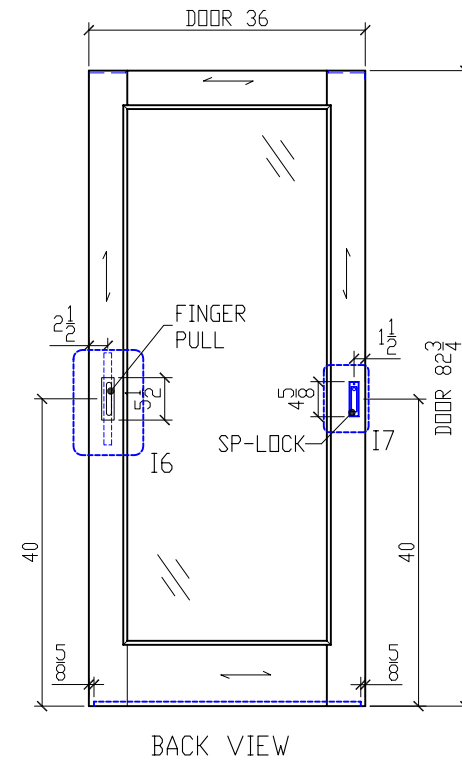
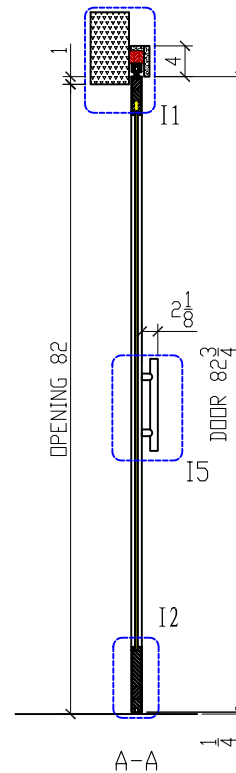
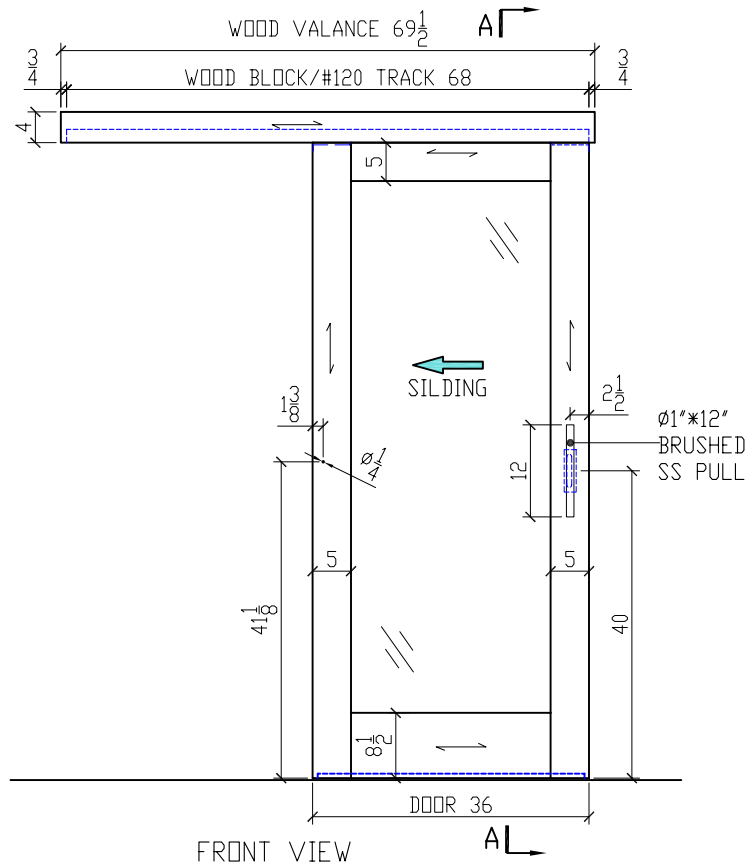
Initial: _____ Date: _____

TYPE	SLIDING BATH DOOR-SL
QTY	1 SET



SHOP DRAWING FOR CUSTOMER APPROVAL

P. M.	JH
DATE	2014. 03. 19
NO.	B-2

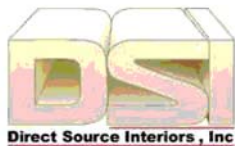


JOB# 120 TRACK Drawing 2 Of 4
Project:

- Approved. Proceed With Production
- Revise and Resubmit
- Make corrections noted & proceed

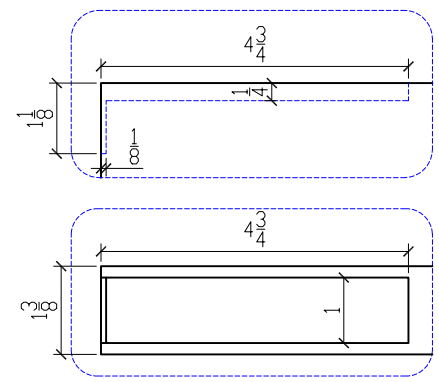
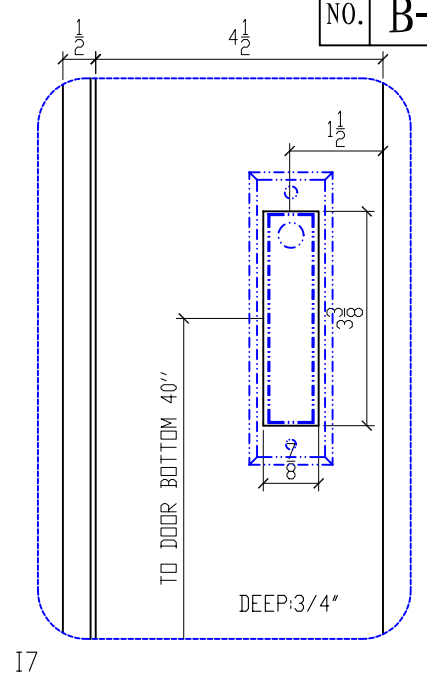
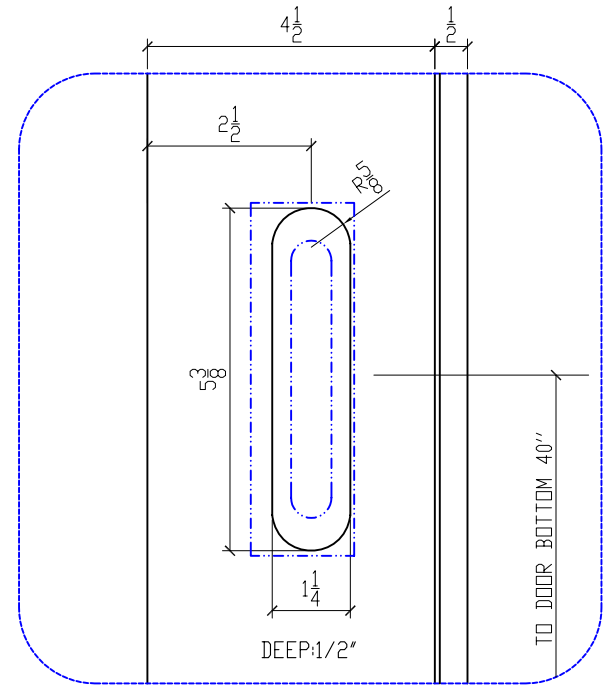
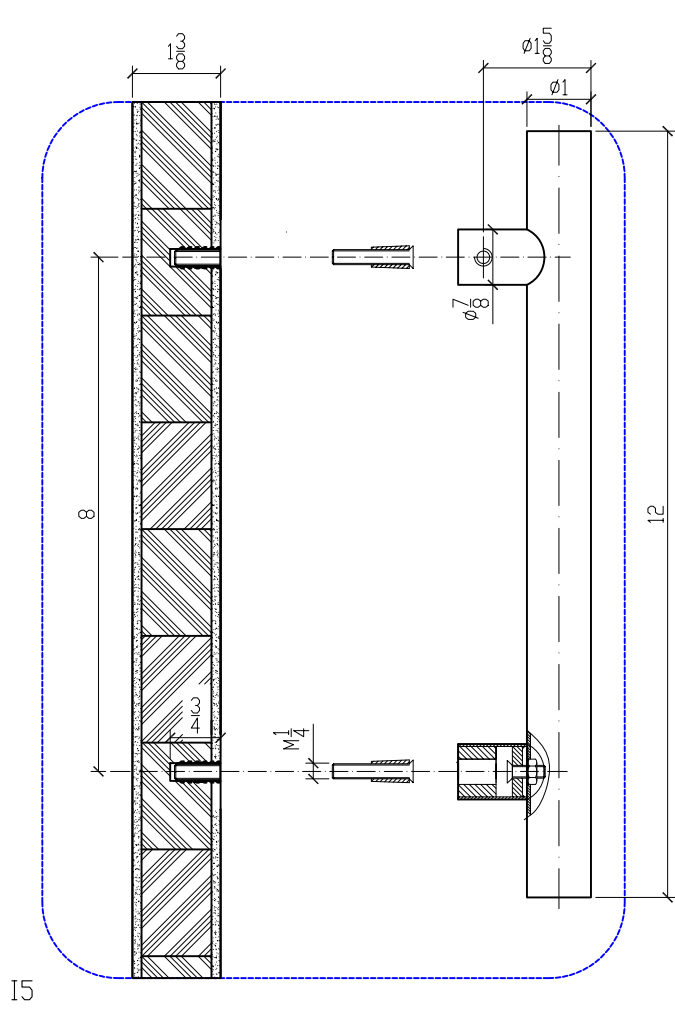
IMPORTANT: All shop drawings must be signed prior to production

Initial: _____ Date: _____



SHOP DRAWING FOR CUSTOMER APPROVAL

P. M.	JH
DATE	2014. 03. 19
NO.	B-4



DOOR TOP #120 ROLLER HANGER

JOB# 120 TRACK Drawing 4 Of 4 Project:

- Approved. Proceed With Production
- Revise and Resubmit
- Make corrections noted & proceed

IMPORTANT: All shop drawings must be signed prior to production

Initial: _____ Date: _____

